

My No : CEM / TO / EM(HLS) / 12-1 /2022-01
Chief Engineer (Motive Power)'s Office
No. 575, Base line Road
Dematagoda, Colombo -09.
12.01.2022

The Manager,
M/s.

QUOTATION OF LOCALY MANUFACTURE OF AIR SPRING RUBBER BALLON OF S 11 CARRIAGES

This department intends to make of the above item/s for S11 Coaches at Hydraulic locomotive Shed, Dematagoda . The specification and details are given overleaf.

Please, quote your lowest price for the item/s. All the details shall be submitted along with your offer. Your bids shall reach this office on or before **2.30 pm on 2022.02.10**
Your representative is required to be present at the opening of tenders at **2.30 pm** on same day.

The form shall be duly returned even if you are unable to quote. Late offers will be rejected.

Your quotation shall be sent under registered post to the above address or drop it at the tender box available in above address by indicating our reference and date of opening on the left hand corner of the envelope.

The items should be delivered to Hydraulic Locomotive shed, Dematagoda free of charge.

Payment shall be made only after receipt and acceptance of the item/s.

Please submit the VAT registration certificate and VAT validation letter for year 2021 issued by the Commissioner General of Inland Revenue”.

Delivery period, VAT registration number and the guarantee period shall be stated in the offer.

Validity period of your offer should be indicated. Minimum validity period is 60 days.

You can quote one offer/price only. If two or three offers, first offer/price is taken and others are rejected.

When sample requested by SLR for testing purpose, take action to submit sample within reasonable time period and if required more time written request should be required. You are unable to submit sample within reasonable time period your offer will be considered as non- responsive.

Thanking You.
Yours faithfully,

K.A.B. Pathirathna
Superintendent Engineer (Motive Power).
Sri Lanka Railways

REQUIRED DETAILS

Articals to be delivered free of charges to Dematagoda.

Items	QTY	Unit Price Rs. Ce.	VAT 8%	Total Price Rs. Ce	Date by which delivery can be completed.	Remarks
Locally manufacture of Air Spring Rubber Balloon of S11 Carriages including fixing into the other parts after powder coating of metal parts.	500 Nos.					

- * Drawing is attached herewith.
- * Sample can be inspected at Hydraulic Locomotive Shed Dematagoda.
- * **Should be locally manufactured. Details of manufacturer shall be submitted along with the offer.**
- * **Supplier shall be able to supply 16 Nos. of the item per month.**
- * **Since this is a product development, that Sri Lanka Railways is accepting several product development cycles in order to properly develop the product locally. Once the best product selected by the technical team of SLR, the developer will be ask to produce the full quantity.**

If any clarifications please contact Superintendent Engineer (Motive Power) - 0114600911.

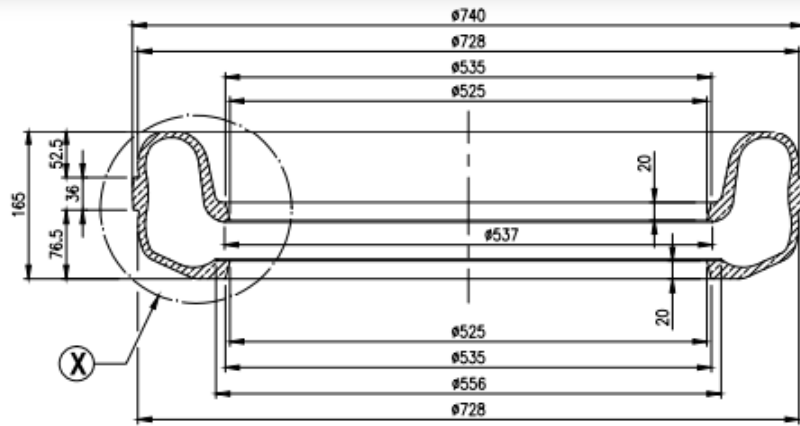
I hereby confirm that the items quoted above are in conformity with the SLR specifications and that I am agreeable for the conditions stated in the quotation form.

VAT Registration No.....

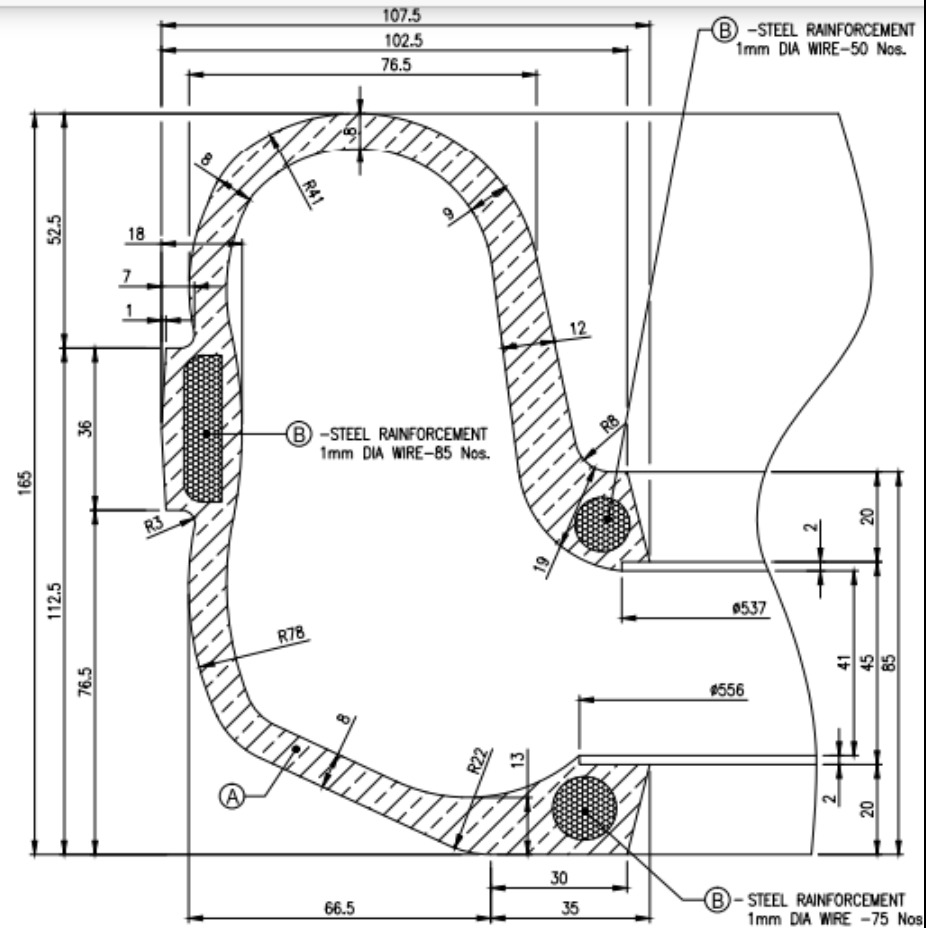
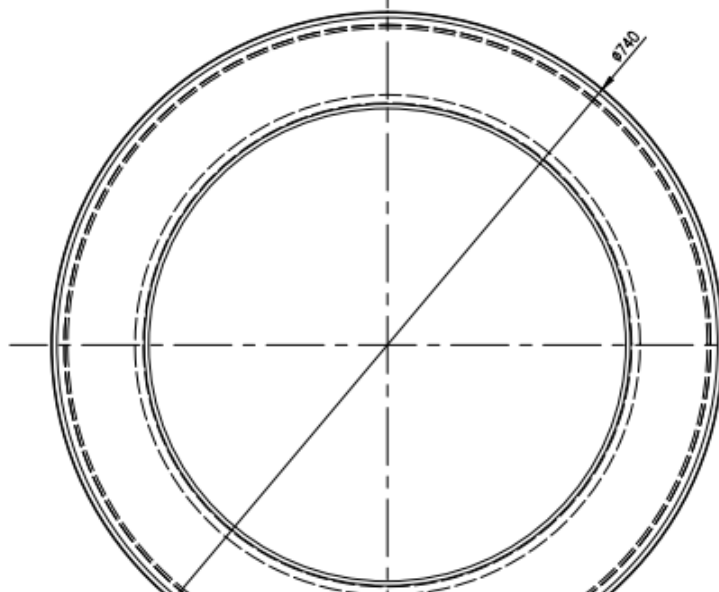
Date :

Signature.....

Name of firm:
(Company seal should be put here)



SECTIONAL FRONT ELEVATION



DETAIL AT-X SCALE 1:1

DRAWING IS PREPARED TO THE SAMPLE
ALL DIMENSIONS ARE IN mm

STORE NO. - RUS 78/04/1A
PART NO. - 50353
NO. PER BOGIE - 02 NOS.
MATERIAL -

ROUGH MACHINED	FINE MACHINED	FINE TURNED	GRINDING	HARDENED & POLISHED	FIELD OK	ROUGH GROUND	CASE HARDENED & GROUND	SP. HARDENED	SPOT CHECK	DIMENSIONAL CONTROL

Activate Windows
Go to Settings to activate Windows.